

TABLE 1. RECOVERABLE AND DIRECT EXCHANGE ITEMS

Current part is item (8) on diagram. Available at www.oshkoshequipment.com

SMR CODE	FEDERAL STOCK NUMBER	PART NO. AND MFR CODE	DESCRIPTION	QTY	ILLUSTRATION	
				INC IN UNIT	FIGURE NO*	ITEM NO.
PAOFF	2510-809-7791	11640352 (19207)	FIFTH WHEEL ASSEMBLY	1	141	1
PAOFF	2520-040-2318	8330480(19207)	PUMP ASSEMBLY	1	188	2
PAOFF	2520-040-2338	8332238 (19207)	PROPELLER SHAFT WITH UNIVERSAL JOINT ASSEMBLY	1	96	1
PAOFF	2520-040-2339	8332244 (19207)	PROPELLER SHAFT WITH UNIVERSAL JOINT ASSEMBLY	1	94	1
PAOFF	2520-040-2340	8332245 (19207)	PROPELLER SHAFT WITH UNIVERSAL JOINT ASSEMBLY	1	95	1
PAOFF	2520-040-2341	8332246 (19207)	PROPELLER SHAFT WITH UNIVERSAL JOINT ASSEMBLY	1	97	1
PAOFF	2520-040-2342	8332247(19207)	PROPELLER SHAFT WITH UNIVERSAL JOINT ASSEMBLY	1	97	1
PAOFF	2520-318-0982	8332248(19207)	PROPELLER SHAFT WITH UNIVERSAL JOINT ASSEMBLY	1	98	1
PAOFF	2520-318-0983	8332249(19207)	PROPELLER SHAFT WITH UNIVERSAL JOINT ASSEMBLY	1	98	1
PAOFF	2520-741-2343	8332250(19207)	PROPELLER SHAFT WITH UNIVERSAL JOINT ASSEMBLY	1	96	28
PAOFF	2520-901-9681	10885788(19207)	PROPELLER SHAFT WITH UNIVERSAL JOINT ASSEMBLY	1	94	1
PAOFF	2520-901-9682	8712095-1(19207)	PROPELLER SHAFT WITH UNIVERSAL JOINT ASSEMBLY	1	95	1
PAOFF	2590-901-9683	8712095-2(19207)	PROPELLER SHAFT WITH UNIVERSAL JOINT ASSEMBLY	1	98	1
PAOFF	2520-901-9684	7112095-3(19207)	PROPELLER SHAFT WITH UNIVERSAL JOINT ASSEMBLY	1	98	1
PAOFF	2520-904-4557	8712094-3(19207)	PROPELLER SHAFT WITH UNIVERSAL JOINT ASSEMBLY	1	96	28
PAOFF	2520-904-8105	8712094-1(19207)	PROPELLER SHAFT WITH UNIVERSAL JOINT ASSEMBLY	1	97	1
PAOFF	2520-904-8106	8712094-2(19207)	PROPELLER SHAFT WITH UNIVERSAL JOINT ASSEMBLY	1	97	1
PAOFF	2520-904-8107	8712097(19207)	PROPELLER SHAFT WITH UNIVERSAL JOINT ASSEMBLY	1	96	28
PAOFF	2530-142-1743	7539349(19207)	COMPRESSOR, RECIPROCATING	1	114	2
PAOFF	2530-152-2250	11665741(19207)	BRAKE SHOE WITH LINING'	12	105	8
PAOFF	2530-693-0679	8380558(19207)	BRAKE SHOE, INTERNAL	1	104	25
PAOFF	2530-693-0680	8380559(19207)	BRAKE SHOE WITH LINING	1	104	25
PAOFF	2530-737-6689	7376689(19207)	CYLINDER, AIR, HYDRAULIC	1	108	1
PAOFF	2530-741-1070	7411070(19207)	CYLINDER ASSEMBLY, MASTER	1	107	1
PAOFF	2530-741-3937	7413937(19207)	VALVE, BRAKE RELEASE	2	GROUP	1211
PAOFF	2530-854-4457	10900525(19207)	GOVERNOR ASSEMBLY, AIR	1	116	1
PAOFF	2540-047-3926	8710630(19207)	PINTLE ASSEMBLY, TOWING	1	134	1
PAOFF	2590-179-5581	10876227(19207)	BOOM ROLLER ASSEMBLY	2	192	1
PAOFF	2590-741-1122	7411122(19207)	WINCH ASSEMBLY	1	174	1
PAOFF	2610-204-2545	MS35338-25(96906)	TIRE, PNEUMATIC	10	124	1
PAOFF	2610-262-8653	MS35338-21(96906)	TIRE, PNEUMATIC	10	124	1
PAOFF	2610-540-4725	MS35338-23(96906)	TIRE, PNEUMATIC	10	124	1
PAOFF	2805-740-9968	7376205(19207)	HEAD ASSEMBLY, CYLINDER	1	4	9
PAOFF	2805-740-9971	7409971(19207)	HEAD ASSEMBLY, CYLINDER	1	4	5
PAOFF	2910-218-1272	7409203(19207)	FUEL PUMP ASSEMBLY	1	2	6
PAOFF	2910-562-0441	8331877(19297)	CARBURETOR, FLOAT	1	19	1
PAOFF	2910-735-4014	8376299(19207)	PUMP, FUEL	1	203	1
PAOFF	2910-860-2338	7748874(19207)	PUMP, FUEL, ELECTRIC	1	34	28
PAOFF	2910-937-5076	10947358-3(19207)	PUMP, FUEL, ELECTRIC	1	28	7.1
PAOFF	2920-226-6545	10911018-1(19207)	STARTER, ENGINE, ELECTRICAL	2	56	2
					57	1
PAOFF	2920-267-9987	10935376(19207)	STARTER, ENGINE, ELECTRICAL	2	56	2
					57	1

Current part is item (8) on diagram. Available at www.oshkoshequipment.com

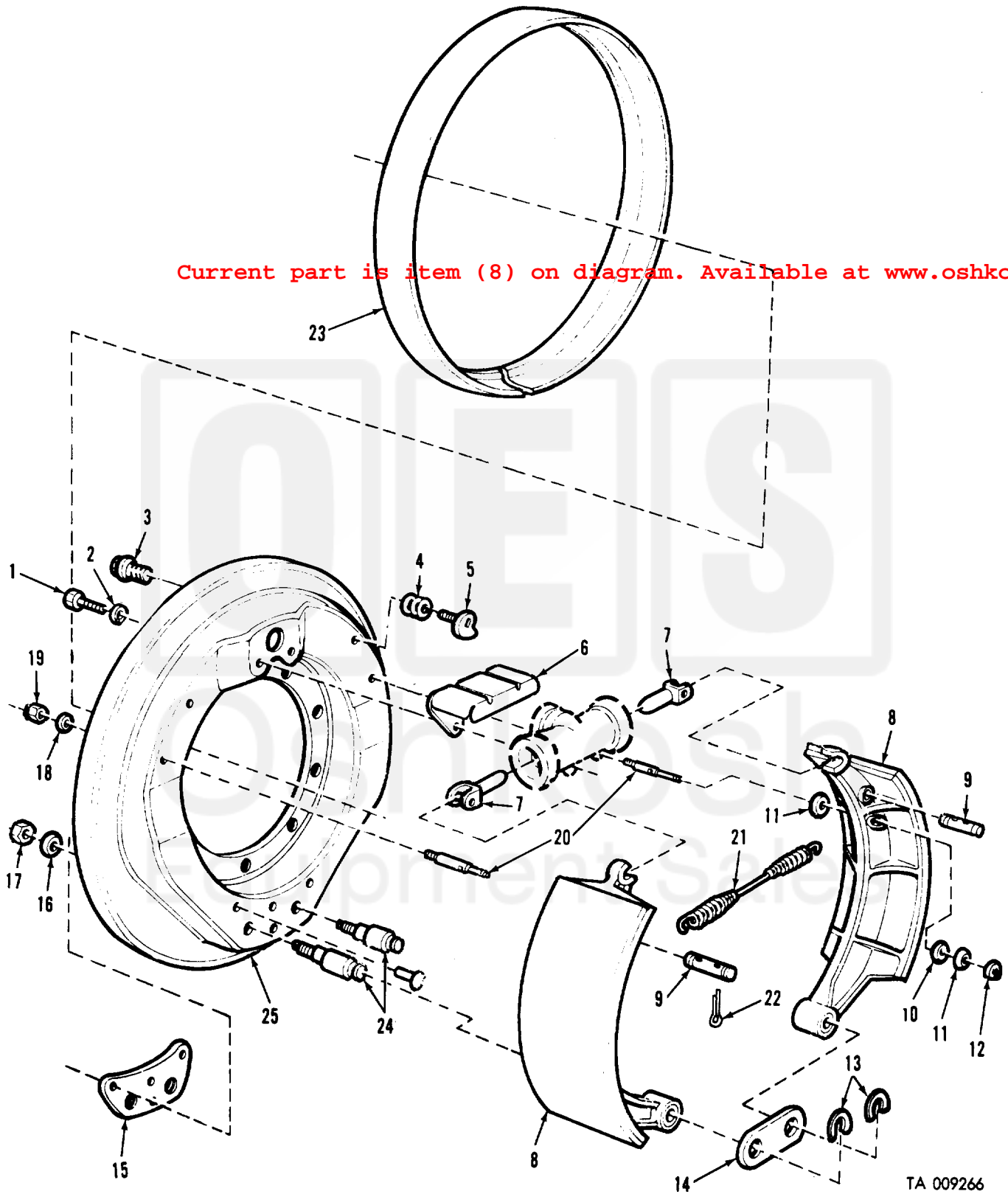


Figure 105. Service brake.